






Multi-Positions™




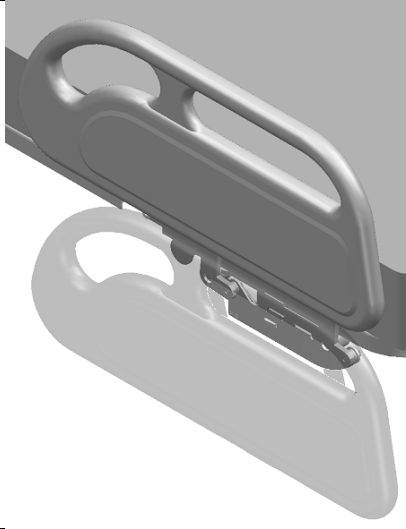
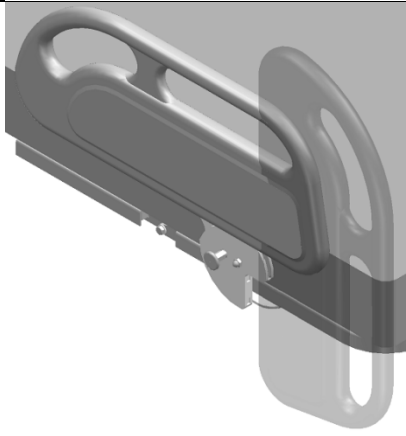

Accessories and Options


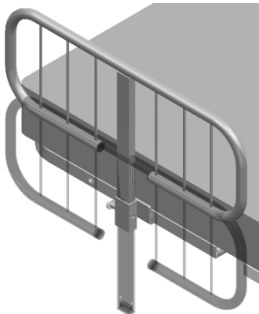
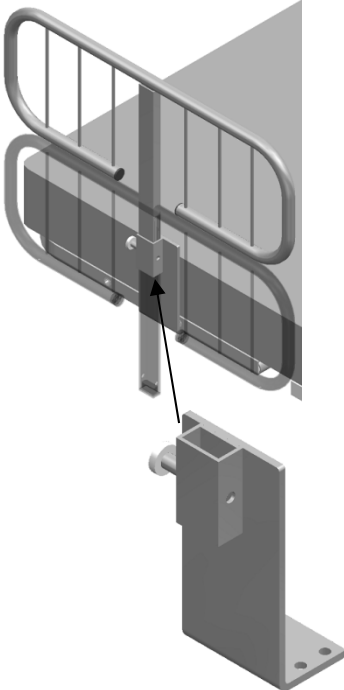
Multi-Positionstm **Accessories and Options**






Picture	Description
 A black handheld remote control with a small LCD screen at the top displaying '77.25'. Below the screen are several buttons including 'MENU', 'SET', 'MEMORY', and 'MEMO'. The central part of the device features a directional pad with four arrow keys and a central 'OK' button. At the bottom, there are buttons for 'On Message OFF', 'Intensity', and a speaker icon. The 'OTEC' logo is visible at the very bottom.	<p>Hand control with cord with options</p> <p>- Light, massage and buzzer</p> <p>(BT-AR)</p>
 This is an identical image to the one in the first row, showing a black handheld remote control with a small LCD screen displaying '77.25', various control buttons, and the 'OTEC' logo at the bottom.	<p>Cordless remote control with options</p> <p>- Light, massage and buzzer</p> <p>(RF-AR)</p>

Picture	Description
 A vertical, grey hand control with a black cord at the bottom. It features a small LCD screen at the top displaying '7 14'. Below the screen are buttons for 'MENU', 'SET', 'MEMORY', '1', and '2'. A central 'ON/OFF' button is flanked by four directional arrow buttons (up, down, left, right). At the bottom are buttons for 'TV', 'MUTE', and 'POWER'. The 'OTEC' logo is visible at the very bottom.	<p>Hand control with cord without options</p> <p>(BT-C0AR)</p>
 A vertical, grey cordless remote control, identical in design to the BT-C0AR model. It features a small LCD screen at the top displaying '7 14' and the same set of control buttons as the BT-C0AR model. The 'OTEC' logo is visible at the bottom.	<p>Cordless remote control without options</p> <p>(RF-C0AR)</p>
 An illustration of a brown metal bed frame with a mattress. A black arrow points from the top right corner of the bed towards the right, indicating the direction of extension or the companion bed.	<p>Clone / Companion bed</p> <p>36" or 39"</p>

Picture	Description
	<p>Melamine headboard or footboard 3 colours available</p> <ul style="list-style-type: none">• White• Rosewood• Maple <p>Bed width 36" or 39" 48" or 54" 60"</p>
<p>Available choices :</p> <ul style="list-style-type: none">• White• Rosewood• Maple	<p>Colour for the melamine trim panels</p> <p>Bed width</p> <p>36" or 39" 48", 54" or 60"</p>
<p>Available choices :</p> <ul style="list-style-type: none">• White• Rosewood• Maple	<p>Colour for the melamine platform</p> <p>Bed width</p> <p>36" or 39" 48", 54" or 60"</p>

Picture	Description
 A close-up photograph of a grey plastic rotating half side rail. The rail is shown in its upright position, with a curved top edge and a central locking mechanism. A shadow is cast below it.	<p>Rotec rotating half side rails</p> <p>(RDRTG2-28-MP)</p>
 A close-up photograph of a grey plastic tilt-up half side rail. The rail is shown in its upright position, with a curved top edge and a central locking mechanism. A shadow is cast below it.	<p>Rotec tilt-up half side rails</p> <p>(RDB-28-MP)</p> <p>Installed to head section only</p>
 A photograph showing a white plastic tilt-up half side rail installed on a hospital bed. The bed has a blue sheet and a red headboard. The rail is mounted to the side of the bed frame.	<p>Rotec tilt-up half side rails</p> <p>(RDB-23-MP)</p>

Picture	Description
	<p>Rotec rotating half side rails (RDRTG2-28X14-MP)</p>
	<p>Metallic half side rails (MDS-30-MP)</p>
	<p>Metallic half side rails extra height (MDS-30-MP-K3)</p>

Picture	Description
	<p>Metallic support with bar and trapeze</p> <p>Bed width</p> <p>36" or 39" 48", 54" or 60"</p>
	<p>Stabilizer plate</p>
	<p>Glides</p>
	<p>Locking caster (3")</p>
	<p>Standard caster (3")</p>